



7.5t GVW DUONIC® TRANSMISSION 2014 MODEL YEAR

CANTER



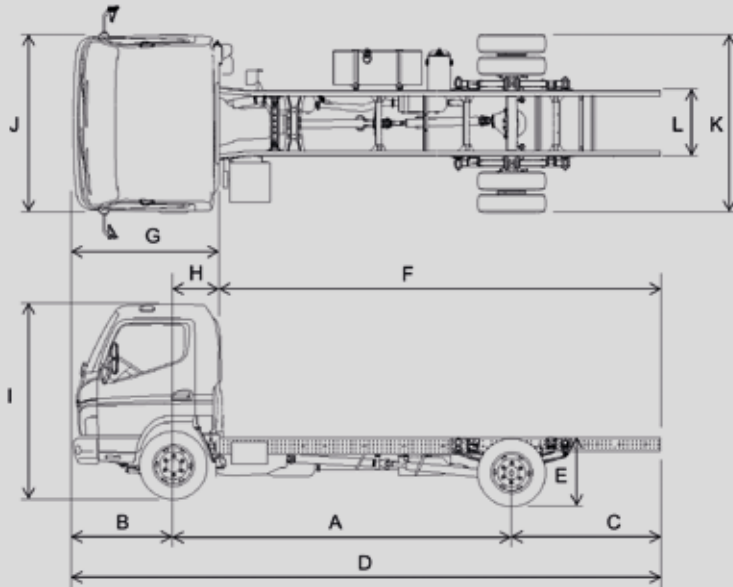
Exclusively from Mercedes-Benz

2014 MODEL YEAR

DUONIC® transmission

7.5t GVW

4x2



DIMENSIONS

		7C15					7C18			
		mm	mm	mm	mm	mm	mm	mm	mm	mm
A. Wheelbase	mm	2800	3400	3850	4300	4750	3400	3850	4300	4750
B. Front Overhang	mm	1140	1140	1140	1140	1140	1140	1140	1140	1140
C. Rear Overhang	mm	1195	1395	1695	1745	1845	1395	1695	1745	1845
D. Overall Length	mm	5135	5935	6685	7185	7735	5935	6685	7185	7735
E. Chassis Height (Chassis-Cab unladen)	mm	790	790	790	800	800	790	790	800	800
F. Back of Cab to End of Frame	mm	3470	4270	5020	5520	6070	4270	5020	5520	6070
G. Bumper to Back of Cab	mm	1665	1665	1665	1665	1665	1665	1665	1665	1665
H. Front Axle to Back of Cab	mm	525	525	525	525	525	525	525	525	525
I. Overall Height (Chassis-Cab unladen)	mm	2190	2190	2190	2205	2205	2190	2190	2205	2205
J. Cab Width (excluding mirrors)	mm	1995	1995	1995	1995	1995	1995	1995	1995	1995
K. Rear Axle Width (to tyre wall)	mm	2027	2027	2027	2137	2137	2027	2027	2137	2137
L. Frame Width	mm	752	752	752	850	850	752	752	850	850
Cab to Body Gap (minimum)	mm	100	100	100	100	100	100	100	100	100
Maximum Possible Body Length	mm	3995	4985	5725	6470	7210	4985	5725	6470	7210
Maximum Possible Body Width	mm	2550	2550	2550	2550	2550	2550	2550	2550	2550
Turning Circle (kerb to kerb)	m	10.6	12.4	14.0	15.4	16.8	12.4	14.0	15.4	16.8
Turning Circle (wall to wall)	m	11.8	13.8	15.2	16.6	18.0	13.8	15.2	16.6	18.0

WEIGHTS

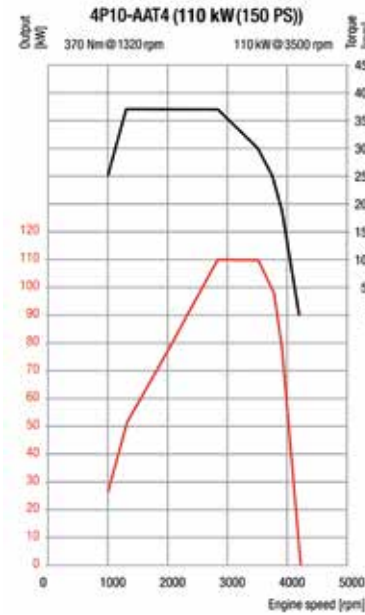
		7C15					7C18			
		kg	kg	kg	kg	kg	kg	kg	kg	kg
Chassis-Cab Weight Total	kg	2380	2410	2420	2460	2470	2400	2420	2460	2470
Chassis-Cab Weight Front Axle	kg	1560	1590	1590	1600	1620	1590	1590	1600	1620
Chassis-Cab Weight Rear Axle	kg	820	820	830	860	850	810	830	860	850
Front Axle Capacity	kg	3100	3100	3100	3100	3100	3100	3100	3100	3100
Rear Axle Capacity	kg	6000	6000	6000	6000	6000	6000	6000	6000	6000
Maximum Gross Vehicle Weight (GVW)	kg	7500	7500	7500	7500	7500	7500	7500	7500	7500
Maximum Gross Train Weight (GTW)	kg	11000	11000	11000	11000	11000	11000	11000	11000	11000
Body and Payload Allowance	kg	5120	5090	5080	5040	5030	5100	5080	5040	5030

Dimensions and Weights are for guidance only – for Body-Building calculations refer to the Canter Body/Equipment directives available from the FUSO Body-Builder portal
 Manufacturing tolerance for Chassis Height and Overall Height is ± 25 mm
 Manufacturing tolerance for Chassis-Cab Weights is $\pm 5\%$
 Chassis-Cab Weights include 20 litres of fuel and exclude the driver
 Maximum Possible Body Length dimension is with 65% overhang. Rear overhang must be extended to achieve this. Front Axle loading must be a minimum of 25% of GVW
 Maximum Possible Body Width dimension is valid only with mirrors set to the 'outside set' position

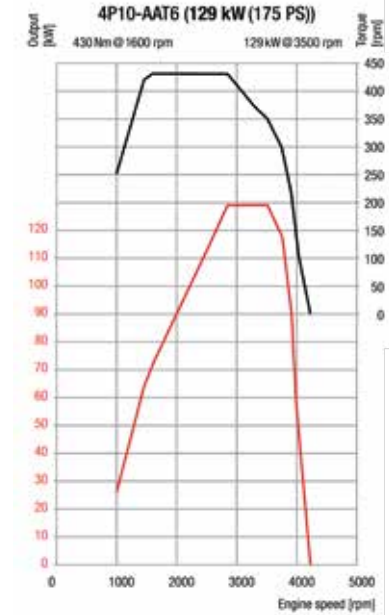
ENGINE

	7C15	7C18
	4P10-AAT4	4P10-AAT6

Engine Power / Torque Curves
4P10-AAT4



Engine Power / Torque Curves
4P10-AAT6



Engine Power / Torque Curves

Max. Power Output (EEC)	kW	110	129
	PS	150	175
	rpm	3500	3500
Peak Torque (EEC)	Nm	370	430
	rpm	1320	1600
Type	Diesel, 4-stroke, 16-valve, DOHC, VGT Turbo, Intercooled, Common-rail direct-injection		
No. of Cylinders	4		
Displacement	2998 cm ³		
Emissions Level	Euro VI (heavy-duty)		
Emissions Treatment	EGR + DPF + SCR (BlueTec)		
Air Intake Type	High cab mounted Intake, paper element type, restriction indicator		
Fuel Type	Diesel (to EN 590 standard)		
NOx reduction agent	AdBlue® (to ISO 22241 standard)		
Idle start/stop System (ISS)	Standard on all models, over-ride switch in cab		
Alternator	AC 12V 140 Amp		

TRANSMISSION, AXLES, WHEELS AND TYRES



Clutch Designation	Maintenance Free, Automated Dual Clutch, Wet type – multi disc without torque loss					
Gearbox Designation	M038S6 (DUONIC® AMT)					
Gearbox Description	Dual Clutch 6-speed, Automated with ECO mode, Creep, Park and Manual functions					
Gear Ratios	1st / Reverse	2nd	3rd	4th	5th	6th
	5.397	3.788	2.310	1.474	1.000	0.701
Rear Axle Ratio	4.875					
Power Take Off (PTO) (PTO is Standard on the 7C15 model with wheelbase 2800mm or 3400mm, Optional on others)	Type:	31kW with interface for direct connected hydraulic pump				
	Speed Ratio:	1:0.655				
	Maximum torque :	196 Nm				
	Engine Speed Control:	Engine speed controller supplied for fitment by Body-Builder				
Wheel / Tyre Arrangement	Front axle: Single, Rear Axle: Dual					
Wheels	17.5 x 6.00 - 127 - 9t - 6 stud					
Tyres	205 / 75 R 17.5 124 / 122 M					
PERFORMANCE						
Maximum Speed – Limited	km/h (mph)	90 (56)				
Maximum Speed – Unlimited	km/h (mph)	130 (81)				
Maximum Gradeability @7.5t	% (theoretical)	29.5				

CHASSIS

Wheelbase	mm	2800	3400	3850	4300	4750
Frame Section	mm	Inside wheelbase: 192 x 60 x 6 (+ reinforcement)			Inside wheelbase: 212 x 65 x 6	
		Rear overhang: 152 x 60 x 6			Rear overhang: 212 x 65 x 6	
	MPa	Material Yield Strength: 305 MPa			Material Yield Strength: 390 MPa	
Tank Capacity Diesel / AdBlue®	litres	100 / 12				
Electrical System / Batteries	12 Volt / 2 x 12 Volt (100AH-760A(EN)) connected in parallel					
Body-Builder Interfaces	Mounting Brackets Fitted as standard – For positions, see chassis drawings on the FUSO Body-Builder Portal					
	12V Body Builder electrical interface: 1 in cab and 1 rear of cab					
	For PTO see section: Transmission, Axles, Wheels & Tyres					
Trailer Electrics	13 Pin (12V) connector – pre-installed at rear of chassis					
Reverse Warning Buzzer	Standard fit without isolation switch (isolation switch can be added by Dealer)					



SUSPENSION, STEERING AND BRAKES



Suspension (Front and Rear)	Semi-elliptic laminated leaf springs with double acting shock absorbers and stabiliser bar	
Steering	Power steering with recirculating ball and nut, tilt and telescopic column with steering lock	
Braking System	Service	Hydraulic, vacuum assisted, 2 circuit, ventilated disc brakes (Ø310mm) with ABS, EBD and over-ride feature
	Parking	Mechanical, internal expanding type mounted on the rear end of the transmission case
	Retarder	Electronically governed exhaust brake – up to 50kW braking power

CAB FEATURES



EXTERIOR

- High strength steel welded cab
- Cab structure reinforced to meet the FUSO RISE (Realised Impact Safety Evolution) requirements
- Internal strength reinforcement beams built into doors
- Wide opening doors with deep side windows for enhanced lateral visibility
- Cathodic dip painted cab structure
- Cab entry / step illumination lamps built into door panel
- Heated foldable multi-adjusting rear-view mirrors
- Manual tilting mechanism for easy access to engine bay
- Single rear facing window in back wall of cab
- Extensive range of colours including Metallic and Pearl options
- 3 piece front bumper

INTERIOR

- Walk-through access
- 3 seat cab (driver + 2 passengers)
- Driver's suspension seat with adjustable springing rate, lumbar support and arm rest
- Isringhausen cloth seats (leather sides) with headrests
- Split folding passenger seat with access to clipboard and document tray
- Flame resistant interior materials
- 3-point seat belt on Driver's seat and outboard passenger seat, lap belt for centre passenger
- Adjustable steering wheel (reach and rake)
- Grab Handles
- Vinyl floor covering
- Overhead storage shelves
- Locking glove box
- Storage area between seats
- Storage pocket on rear wall of cab
- Electric driver's side and passenger side windows
- Retractable twin cup holders
- 12V power socket
- Central courtesy light
- Tinted glass

SECURITY

- Engine Immobiliser
- Keyless remote central locking

INSTRUMENTS AND CONTROLS

- Multi-function electronic display screen (fuel consumption, trip, DPF status, time, Gear indicator, Odometer, Maintenance info)
- Speedo in mph (and km/h)
- Fuel Gauge
- AdBlue® gauge
- Rev counter with economy band
- ECO mode switch
- Idle start/stop (ISS) disable switch
- Manual DPF regeneration switch
- PTO Switch (standard on 7C15 with 2800mm or 3400mm wheelbase only, optional equipment on others)
- Heater Mirror switch
- Fog lamp switch
- Electric window switches in door panels
- Wipers and Exhaust Brake control stalk
- Lighting and Indicator control stalk
- Rotary heater controls
- Steering wheel mounted horn switch
- Interior lamp switch on head lining
- Digital Tachograph (2 man)

OPTIONAL EQUIPMENT

- Electronic Stability Program (ESP)
- Limited slip differential
- 24V Body-Builder interface (Max 19 Amps output)
- Drive axle ratio 5.285:1
- Airbag driver / Airbag driver & co-driver seat
- Fully automatic air conditioning
- Fire extinguisher 2kg (mounted inside cab)
- Spare Wheel/Tyre
- Additional 70 litre fuel tank
- Pre installation for engine driven accessory
- PTO (196Nm) for direct connected ISO pumps (std on 7C15 model with 2800 and 3400 wheelbase)
- Remote engine speed control for PTO (std on 7C15 model with 2800 and 3400 wheelbase)
- High power PTO (392Nm) with flange
- PTO (196Nm) with flange
- Radio / CD / MP3 + Bluetooth® (Dealer Fit)
- Rear Underrun bar (type approved)
- Rear Underrun with coupling provision (type approved)
- Michelin tyres
- Traction tyres
- Speed Limiter removed (Emergency vehicles only)
- Tachograph removed (out-of-scope vehicles only)
- Dropside Aluminium body – ex-factory ECWVTA (available 2800 and 3400 wheelbase only)
- 3-way Tipper body (white) – ex-factory ECWVTA (available 2800 and 3400 wheelbase only)
- 3-way Tipper body (in cab colour) – ex-factory ECWVTA (available 2800 and 3400 wheelbase only)
- Selection of cab colours – ex-factory

WARRANTY AND MAINTENANCE

Standard Warranty	3 years / unlimited mileage
Standard Maintenance intervals	40,000 km / 1 year



SYSTEM	APPROVAL LEVEL
EC Type Approval	2007/46*1230/2012
Noise Levels	Reg. 51 - 02
Engine Power	Reg. 85 - 00
Emissions	595/2009*64/2012A
Fuel Tanks	Reg. 34 - 02
Steering	Reg. 79 - 01
Door Latches and Hinges	130/2012
Vehicle Access	Reg. 11 - 03
Horn	Reg. 28 - 00
Indirect Vision (mirrors)	Reg. 46 - 02
Braking	Reg. 13 - 11
EMC	Reg. 10 - 04
Diesel Smoke	Reg. 24 - 03
Anti-theft / Immobiliser	Reg. 116 - 00
Seat Strength	Reg. 17 - 08
Seat Belt Anchorages	Reg. 14 - 07
Seat Belts / Restraints	Reg. 16 - 06

SYSTEM	APPROVAL LEVEL
Head Restraints	Reg. 25 - 04
Towing Hooks	1005/2010
Id of Controls	Reg. 121 - 00
Cab Heating	Reg. 122 - 00
Speedo / Reverse Gear	Reg. 39 - 00
Plates (statutory)	19/2011*249/2012
Lighting	Reg. 48 - 04
Spray-suppression	109/2011
Safety Glazing	Reg. 43 - 00
Tyres	458/2011
Speed Limitation Devices	Reg. 89 - 00
Front Underrun Protection	Reg. 93 - 00
Masses and Dimensions	1230/2012
External Projections of Cabs	Reg. 61 - 00
Cab Strength	Reg. 29 - 02
Rear Underrun Bar (Option)	Reg. 58 - 02
Coupling Provision (Option)	Reg. 55 - 01



ALSO AVAILABLE:

CANTER 3.5T DUONIC® / CANTER 3.5T MANUAL / CANTER 7.5T MANUAL / CANTER 8.55T DUONIC®
/ CANTER 4X4 – 6C18 / CANTER CREW CAB / CANTER ECO HYBRID

ISSUED BY MERCEDES-BENZ UK LTD,
TONGWELL, MILTON KEYNES, MK15 8BA

TELEPHONE: 0800 055 6050 (OR IF YOUR MOBILE PHONE PROVIDER CHARGES FOR FREEPHONE NUMBERS, 0333 222 0525)
WWW.CANTER.CO.UK

BODY-BUILDER INFORMATION AVAILABLE AT: [HTTP://BB-PORTAL.FUSO-TRUCKS.COM](http://bb-portal.fuso-trucks.com)

THE CONTENTS OF THIS BROCHURE ARE NOT BINDING AND THE RIGHT IS RESERVED TO MAKE MODIFICATIONS WITHOUT NOTICE.
DUONIC® IS A REGISTERED TRADEMARK OF DAIMLER AG



Exclusively from Mercedes-Benz